



Mini Hotplates & Stirrers



Ideal for Educational Labs

OHAUS Mini Hotplate Stirrers are rugged, compact units that can heat and stir up to 1000 mL of water. These stirrers are ideal for educational and other lab environments that require consistent stirring. Models include Hotplates, Stirrers, Hotplate-Stirrers, Fixed Temperature Hotplates and Auto Stirrers. All models feature a 10.2×10.2 cm, easy-to-clean ceramic top plate and cool-touch housing.

Standard Features Include:

- **Chemical-Resistant, Easy-to-Clean Ceramic Top Plate**
Designed with ease-of-use in mind, all of our mini-hotplate stirrer models feature easy-to-clean, chemical-resistant ceramic top plate with a reflective white surface.
- **Constructed of Cool-Touch, Chemical-Resistant Housing**
Our mini hotplate stirrer housing is constructed of a heat-resistant polymer that is not only cool to the touch, but also chemical-resistant.
- **Equipped with a Built-In Support Rod Holder**
All units are equipped with a built-in support rod holder with a locking knob, which accepts the optional support rod kit.

Mini Hotplates & Stirrers

Model No.	HSMNHP4CAL	HSMNHP4CFT	HSMNST4CAL	HSMNAS4CAL	HSMNHS4CAL
Function	Heating		Stirring	Stirring, Auto Start/Stop	Heating and Stirring
Speed Range	—		100 to 1200 rpm		
Temperature Range	to 500 °C	500 °C	—	—	to 500 °C
Capacity	1000 mL				
Plate Size (L × W)	4 in. × 4 in. / 10.2 cm × 10.2 cm				
Control	Analog				
Plate Construction	Ceramic				
Dimensions (H × L × W)	5 in. × 7.9 in. × 6 in. / 12.7 cm × 20.1 cm × 15.2 cm				
Net Weight	4 lb / 1.8 kg				
Power	120V, 1.8A, 50/60Hz		120V, 0.5A, 50/60Hz		120V, 2.6A, 50/60Hz
Power Consumption	200 W		20 W		200 W
Working Environment	41 °F–104 °F, 80% RH, non-condensing / 5 °C–40 °C, 20% to 85% RH, non-condensing				

Other Standard Features and Equipment

Valox housing, basic control knobs, 3.8 cm spinbar® (included with stirring models), On/Off toggle switch (fixed temperature models).

Compliance

Product Safety: EN 61010-1, EN 61010-2-010, EN 61010-2-051

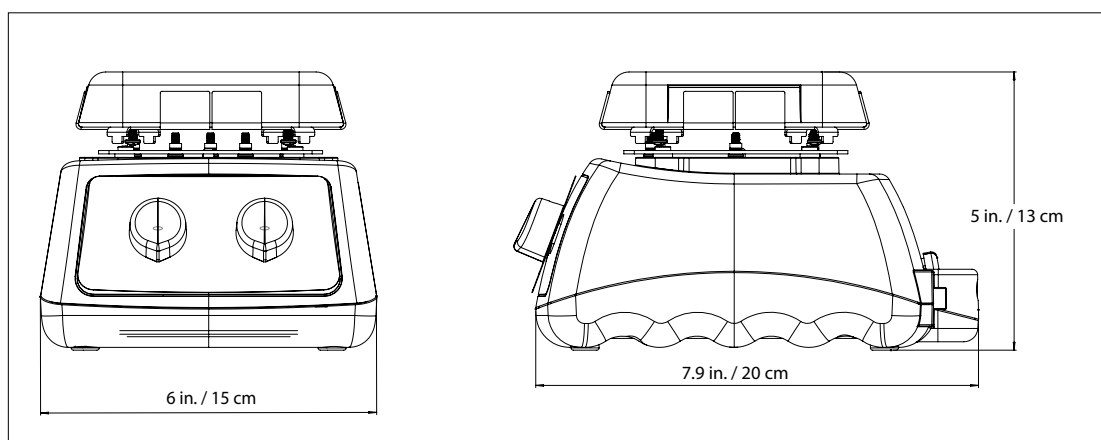
Electromagnetic Compatibility: EN 61326-1 Class A, Industrial environments

Compliance marks: CE; RCM; TÜV SÜD

Accessories

Item No.	Description	HSMNHP4CAL	HSMNHP4CFT	HSMNST4CAL	HSMNAS4CAL	HSMNHS4CAL
30400145	Ultra Flex Support Kit	•	•	•	•	•
30400146	Support Rod And Clamp Kit	•	•	•	•	•
30400147	Spinbar® 2.5 cm PTFE			•	•	•
30400148	Spinbar® 3.8 cm PTFE			•	•	•
30400149	Spinbar® 7 cm PTFE			•	•	•
30400150	Spinbar® 10 cm with Pivot Ring PTFE			•	•	•

Dimensions



OHAUS CORPORATION

7 Campus Drive
Suite 310
Parsippany, NJ 07054 USA

Tel: 800.672.7722
973.377.9000
Fax: 973.944.7177

www.ohaus.com

The management system governing the manufacture of this product is ISO 9001:2008 certified.

